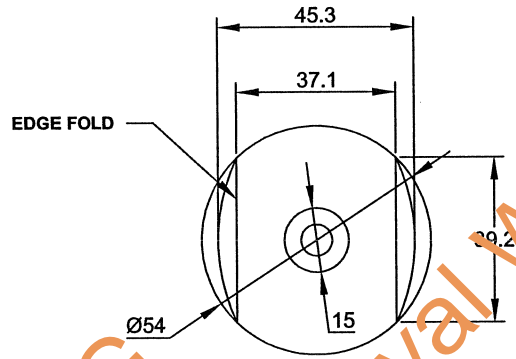
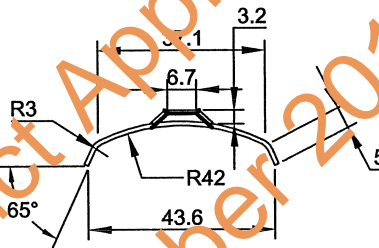


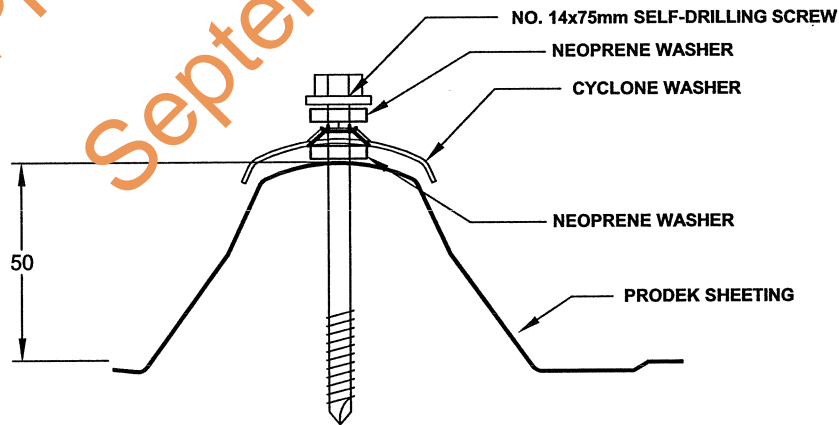
PRODEK CLADDING WITH CYCLONIC WASHERS FOR WALLING.



CYCLONE WASHER PLAN



CYCLONE WASHER ELEVATION



PRODEK CYCLONE ASSEMBLY

MATERIAL:

1. CYCLONE WASHER 1.0mm BMT G300 AZ200
2. NO. 14x75mm SELF- DRILLING SCREWS

NOTE: DRAWING NOT TO SCALE
DIMENSIONS IN MILLIMETERS (mm)

KBR
Kellogg Brown & Root Pty Ltd
ABN 91 007 660 317
Reg. No. - KEES8332

PRODEK CYCLONIC WASHER

STRATCO (N.T.) PTY. LTD.
780 STUART HIGHWAY
BERRIMAH, N.T. 0828

DESIGN DATA SHEET

APPROVED	DATE	DRAWING NUMBER.
<i>[Signature]</i>	8.7.04	M/217/11

Certified:

[Signature]

Date: 17/5/04