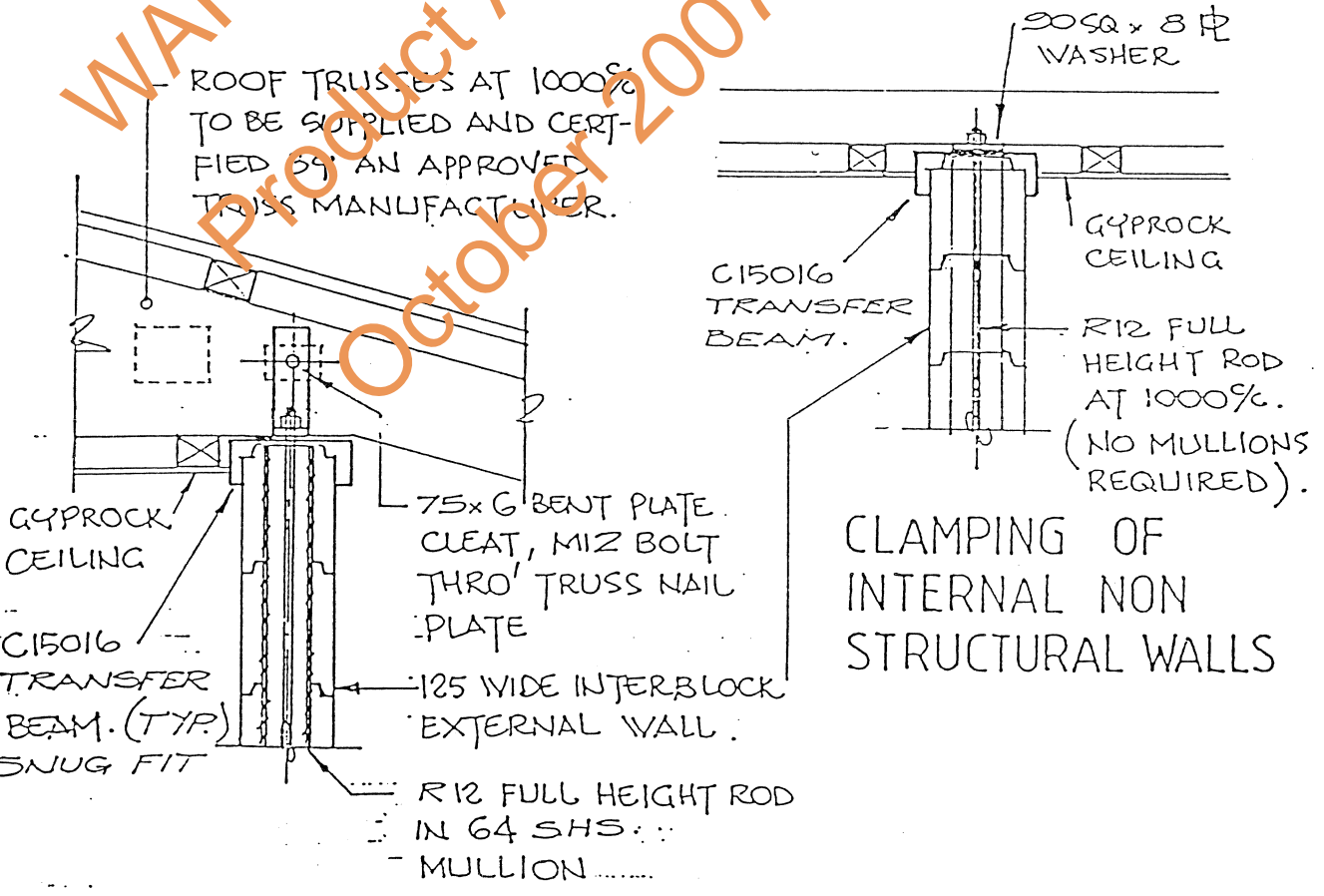


ROOF TRUSS TO WALL CONNECTION



ROOF TRUSS ANCHORAGE

<p>INTERBLOCK AUSTRALIA 1686 MCKINNON ROAD BERRIMAH DARWIN NT.</p>	<p>INTERLOCK WALL SYSTEM FOR SINGLE STOREY RESIDENTIAL APPLICATIONS. STRUCTURAL CERTIFICATION OF SYSTEM ONLY</p>	
<p>Sleeman Dunkley Treacy Maunsell Pty Ltd CONSULTING ENGINEERS & PROJECT MANAGERS</p>	<p>DESIGN DATA SHEET</p>	
<p>CERTIFIED: <i>[Signature]</i> 29 JUN 09</p>	<p>DEPT. OF LANDS AND HOUSING APPROVED: <i>[Signature]</i></p>	<p>DATE: _____ W13/6</p>