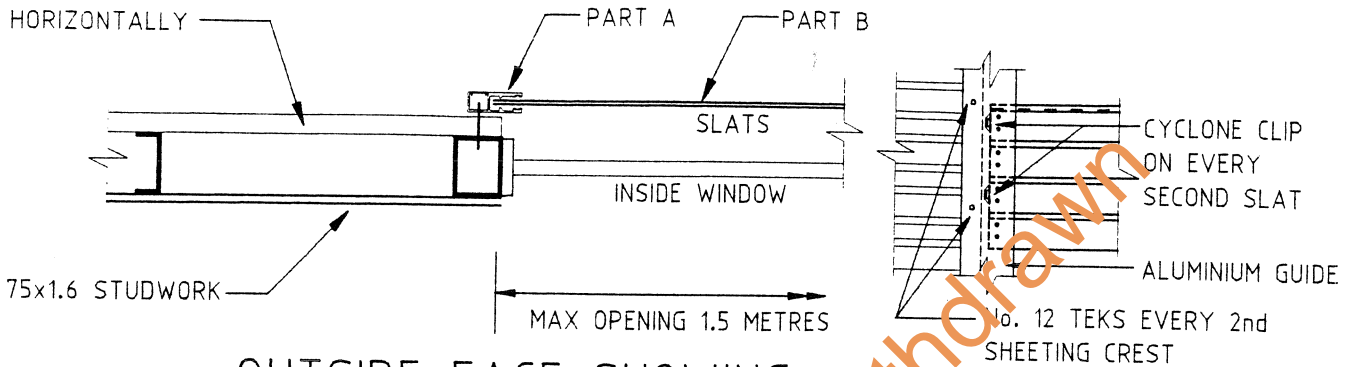
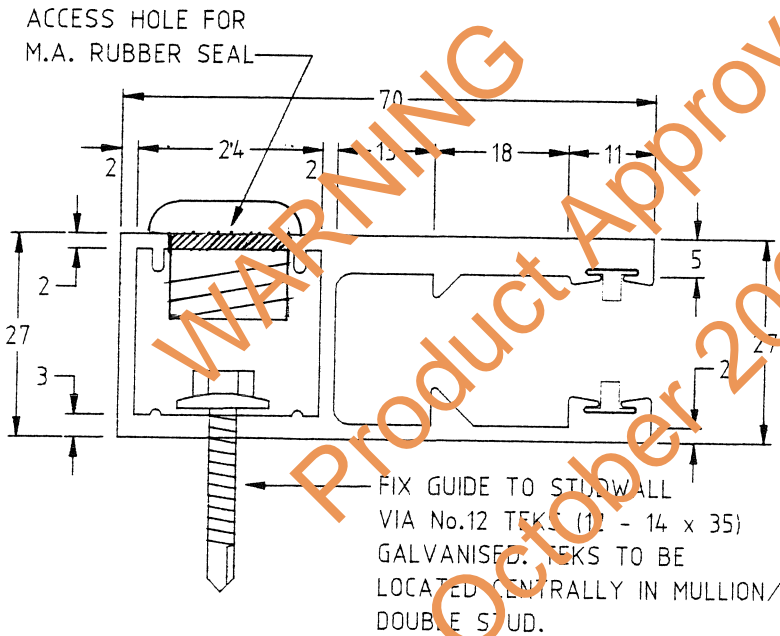


STEEL EH300 WALL
CLADDING SPANNING
HORIZONTALLY



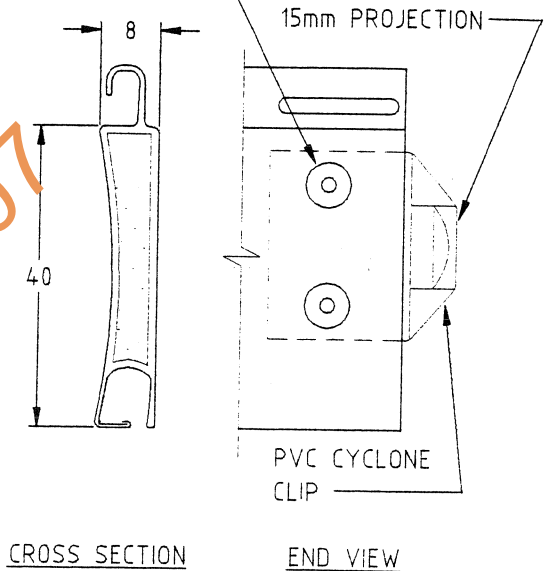
OUTSIDE FACE SHOWING
SHUTTER IN LOCATION

ELEVATION



PART A - PLAN
ALUMINIUM GUIDE RAIL

'MARSON' KLIK FAST
AB4/2 RIVETS



CROSS SECTION

END VIEW

PART B
TYPICAL SLAT

NT SHUTTERS SERIES 1.
EXTRUDED ALUMINIUM CYCLONE GUIDE RAIL FITTED
WITH ANTI-RATTLE INSERTS.

EACH SECOND SLAT TO BE PROVIDED WITH A PVC
CYCLONE CLIP FIXED WITH 2 No. RIVETS.
SLAT FABRICATED FROM ROLL-FORMED ALUMINIUM
FILLED WITH CFC FREE FOAM.

NOTES

- SHUTTERS STATIC TESTED TO FAILURE OF 4.8 kPa APPLIED LOAD. S.W.L. OF 2.4 kPa WITH F.S. OF 2.
- REFER CURTIN UNIVERSITY OF TECHNOLOGY TEST 3121-1 09/04/97

MANUF'S NAME

NT SHUTTERS

ADDRESS

54 MARINA BOULEVARD
CULLEN BAY

SERIES 1 SECURITY ROLLER SHUTTERS
- FIXING TO STEEL STUD WALLS

DESIGN DATA SHEET

CERTIFIED

Scott Wilson
CL653003

Scott
Wilson
Irwin
Johnston
Consulting Engineers

DARWIN CYCLONE AREA

APPROVED

HUGHES TILGEMAN
REINHOLD
R665 3131
16/7/97
DATE

DRG. No.

M/409/1

DATE

10-5-97