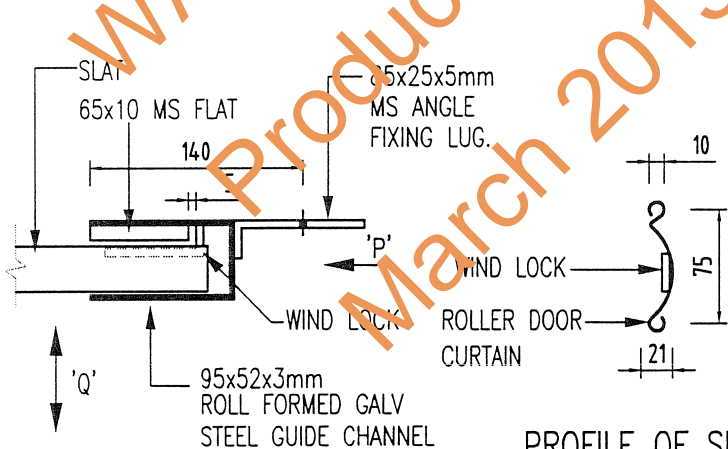


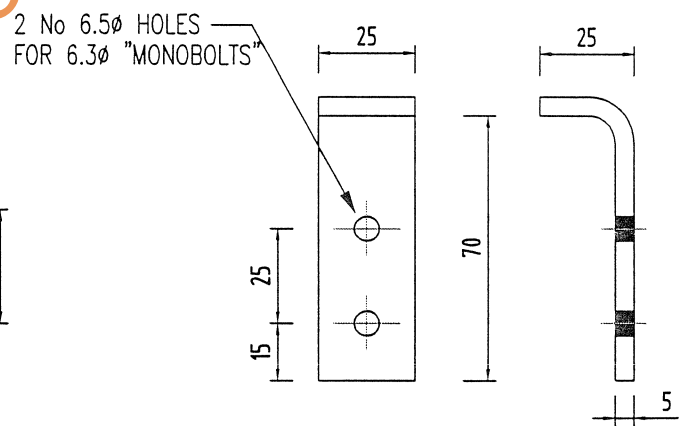
AIRPORT DOORS

SERIES 75 x 0.8
ROLLER SHUTTER DOOR
FOR CYCLONIC AREAS

DOOR WIDTH (m)	WIND LOCK SPACING (mm)	ALLOWABLE WIND LOAD (kPa)	DESIGN FORCES (kN/m)	
			P	Q
4.0	150	2.53	25.0	5.1
	300	1.45	12.5	2.9
3.5	150	3.11	25.0	5.4
	300	1.80	12.5	3.2
3.0	150	3.70	22.9	5.6
	300	2.32	12.5	3.5
2.5	-	0.96	-	1.2
	150	3.70	15.8	4.6
	300	3.13	12.5	3.9
2.0	-	1.51	-	1.5
	300	3.70	9.1	3.7
1.5	-	2.68	-	1.9
	300	3.70	2.8	2.8



PLAN DETAIL ON
ROLLER DOOR GUIDE



PROFILE OF SERIES
75 ROLLER SHUTTER
CURTAIN SLAT

ELEVATION OF WINDLOCK
GRADE 250 STEEL

NOTE:

'P' AND 'Q' ARE THE DESIGN FORCES (kN/m) TO BE CARRIED BY THE GUIDE FIXINGS AND SUPPORT MEMBERS

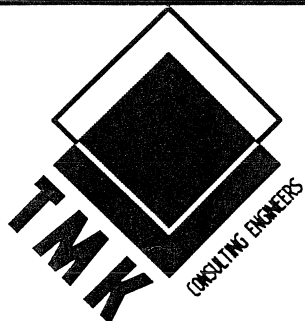
APPROVED FOR INCLUSION IN THE NT DEEMED TO COMPLY MANUAL

BY THE B.A.C.

DATE: 15/5/98

Civil - Environmental
Structural - Geotechnical
Mechanical - Electrical
Fire - Security
Lifts - Hydraulics

21A Cavenagh Street
G.P.O. Box 3700, Darwin, N.T. 0801
Telephone 61 89 410 626
Facsimile 61 89 410 277
ACN 062 965 888 / 008 080 046



AIRPORT DOORS
SERIES 75 x 0.8 ROLLER SHUTTER
DOOR WITH WINDLOCKS

DESIGN DATA SHEET

NORTHERN TERRITORY
CYCLONIC AREAS

SHEET No:
M/408/5

CERTIFIED

W. Howard

DATE:

3/4/98

JOB No:

9803060

APPROVED

John Wall

DATE:

14.7.98