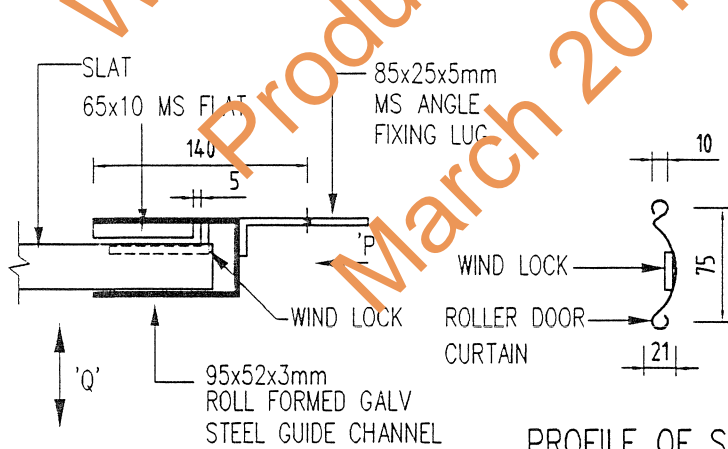


AIRPORT DOORS

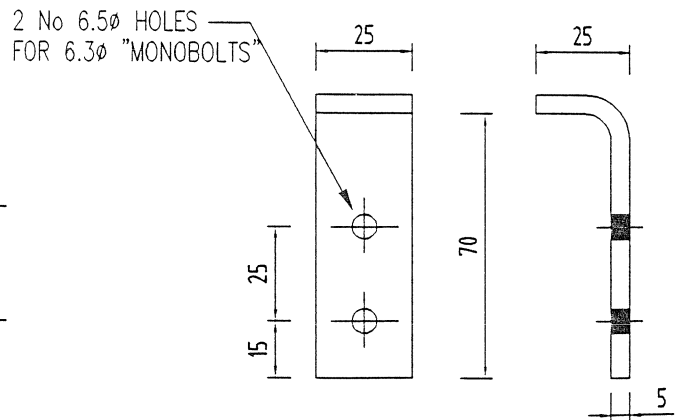
SERIES 75 x 1.0
ROLLER SHUTTER DOOR
FOR CYCLONIC AREAS

DOOR WIDTH (m)	WIND LOCK SPACING (mm)	ALLOWABLE WIND LOAD (kPa)	DESIGN FORCES (kN/m)	
			P	Q
4.0	150	3.46	34.8	6.9
	300	1.97	17.4	3.9
3.5	150	3.70	29.4	6.5
	300	2.44	17.4	4.3
3.0	150	3.70	21.7	5.6
	300	3.14	17.4	4.7
2.5	-	1.21	-	1.5
	300	3.70	14.4	4.6
2.0	-	1.88	-	1.9
	300	3.70	7.5	3.7
1.5	-	3.35	-	2.5
	300	3.70	1.0	2.8



PLAN DETAIL ON
ROLLER DOOR GUIDE

PROFILE OF SERIES
75 ROLLER SHUTTER
CURTAIN SLAT



ELEVATION OF WINDLOCK
GRADE 250 STEEL

NOTE:

'P' AND 'Q' ARE THE DESIGN FORCES (kN/m) TO BE CARRIED BY THE GUIDE FIXINGS AND SUPPORT MEMBERS

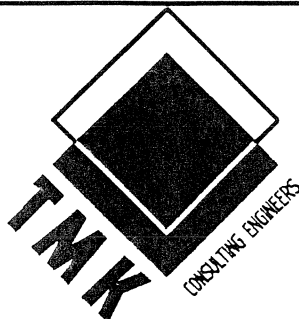
APPROVED FOR INCLUSION IN THE NT DEEMED TO COMPLY MANUAL

BY THE B.A.C:

DATE: 15/5/98

Civil - Environmental
Structural - Geotechnical
Mechanical - Electrical
Fire - Security
Lifts - Hydraulics

21A Cavenagh Street
G.P.O. Box 3700, Darwin, N.T. 0801
Telephone 61 89 410 626
Facsimile 61 89 410 277
ACH 062 965 888 / 008 080 046



AIRPORT DOORS
SERIES 75 x 1.0 ROLLER SHUTTER
DOOR WITH WINDLOCKS

DESIGN DATA SHEET

NORTHERN TERRITORY
CYCLONIC AREAS

SHEET No:

M/408/4

CERTIFIED
W. Ward

DATE:
3/4/98

JOB No:
9803060

APPROVED
W. Ward

DATE:
14.4.98