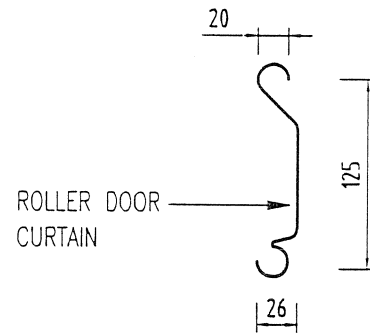
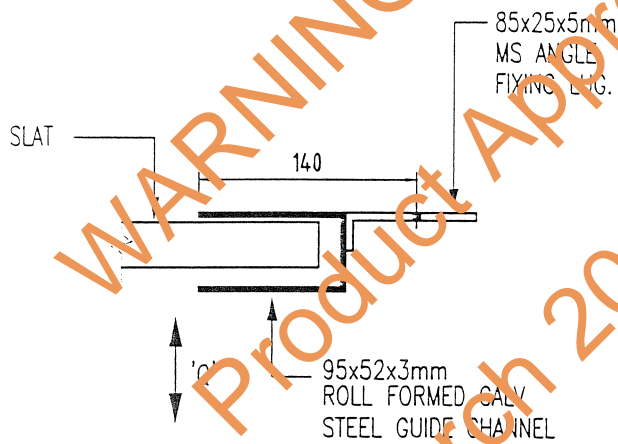


# AIRPORT DOORS

SERIES 130 x 1.0  
ROLLER SHUTTER DOOR  
FOR CYCLONIC AREAS

DOOR WIDTH (m)	ALLOWABLE WIND LOAD (kPa)	DESIGN FORCES (kN/m) Q
3.5	0.83	1.45
3.0	1.13	1.70
2.5	1.63	2.2
2.0	2.54	2.5
1.5	3.70	2.8



PROFILE OF  
SERIES 130  
ROLLER SHUTTER  
CURTAIN SLAT  
GRADE 300 STEEL

PLAN DETAIL ON  
ROLLER DOOR GUIDE

**NOTE:**

'Q' IS THE DESIGN FORCE (kN/m) TO BE CARRIED BY THE GUIDE FIXINGS AND SUPPORT MEMBERS.

APPROVED FOR INCLUSION IN THE NT DEEMED TO COMPLY MANUAL

BY THE B.A.C:

DATE: 15/5/98

Civil - Environmental Structural - Geotechnical Mechanical - Electrical Fire - Security Lifts - Hydraulics  21A Cavenagh Street G.P.O. Box 3700, Darwin, N.T. 0801 Telephone 61 89 410 626 Facsimile 61 89 410 277 ACN 962 965 888 / 088 088 044		AIRPORT DOORS SERIES 130 x 1.0 ROLLER SHUTTER DOOR WITHOUT WINDLOCKS		
		DESIGN DATA SHEET		
		NORTHERN TERRITORY CYCLONIC AREAS	SHEET No: <b>M/408/1</b>	
CERTIFIED 	DATE: 3/4/98	JOB No: 9803060	APPROVED DATE: 14.7.98	