

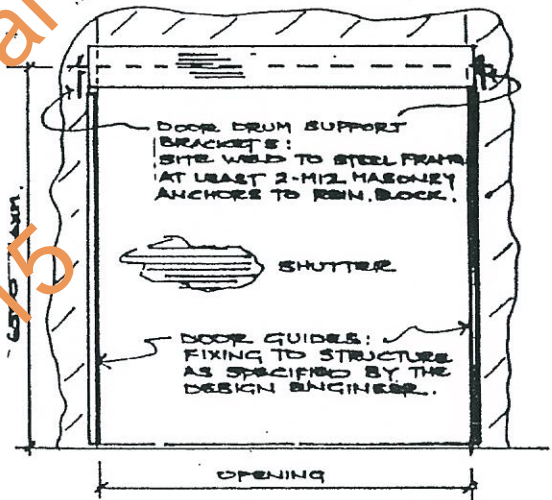
B & D - 6/100 TYPE ROLL-A-SHUTTER DOORS DOOR SIZE / FIXING IN CYCLONE AREAS

Table :

B & D DOOR TYPE	WIND TERRAIN CATEGORY	MAX. DOOR OPENING mm	MAX. GUIDE FIXING c-c	DESIGN FORCES to GUIDE support	
				P (kn)	Q (kn)
6/100	1 & 2	4300	600	10.7	2.9
	3 & 4	5500	600	11.0	2.6

Notes on Table :

- Table based on WINDLOCKS on every 4th curtain slat, fixed with 5 No. 6.3 # HUCK BOLTS.
- Wind loading generally to AS1170-Part 2 - 1989; region C. Maximum nett pressure coefficient = 1.25.
- The curtain GUIDE is ex. 3.2 mm thick, cold formed galvanised steel channel section, with a 40 x 12 steel flat locking bar fixed within the channel by 20 # puddle welds @ 400 c.c.
- The maximum door openings and guide forces have been calculated using test data and theoretical analysis carried out by Hardcastle & Richards - Consulting Engineers - as reported in summary report ref. DEC:JLF:218-80/24, dated 1st April 1982.
- The table shows working stress loads exerted by the guides on the structural support frame. Figure 1 shows the direction of the forces and the profile of the guide. The sizing of the connections will depend on the detail of the structure, and should be specified by the Structural Design Engineer.
- Personel doors are not permitted within the Roll-A-shutter.



TYPICAL DOOR ELEVATION

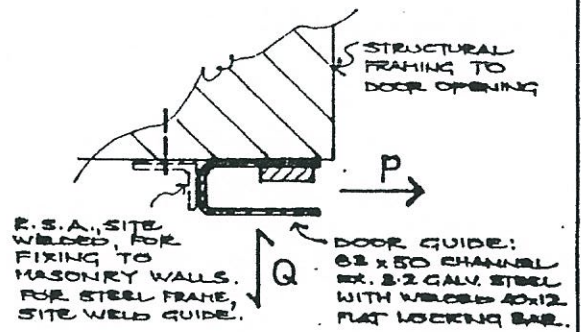


Figure 1. DOOR GUIDE - SECTION DETAIL

MANUF'g: B & D Australia NAME: (Div. of Elyde Industries Ltd) ADDRESS: Canterbury Road, Kilsyth, Victoria. P.O. Box 50, Dayswater, 3153. PHONE: (03) 728 1566 Fax. (03) 728 3709	FIXING / SIZE OF: B & D 6 / 100 Roll-A-Shutter Doors Windlock on every 4th Slat, cold-formed guide. IN THE DARWIN AREA.
CERTIFIED: <i>Alamy</i> BE (Chons 1) DATE: 7/8/1993 Mon. 1970. ENGINEER: Collings & McDonald Pty Ltd 7 Ellesmere Ave, CROYDON 3136 (A. G. Collings BE(hons 1) Mon.1970)	<h3>DESIGN DATA SHEET</h3> NORTHERN TERRITORY/CYCLONIC AREAS DRAWING No. M406/2 DATE: 16/1/93

New Expiry. 31/1/15
Signature. *[Signature]*

New Expiry Date 31/1/14
Signature. *[Signature]*