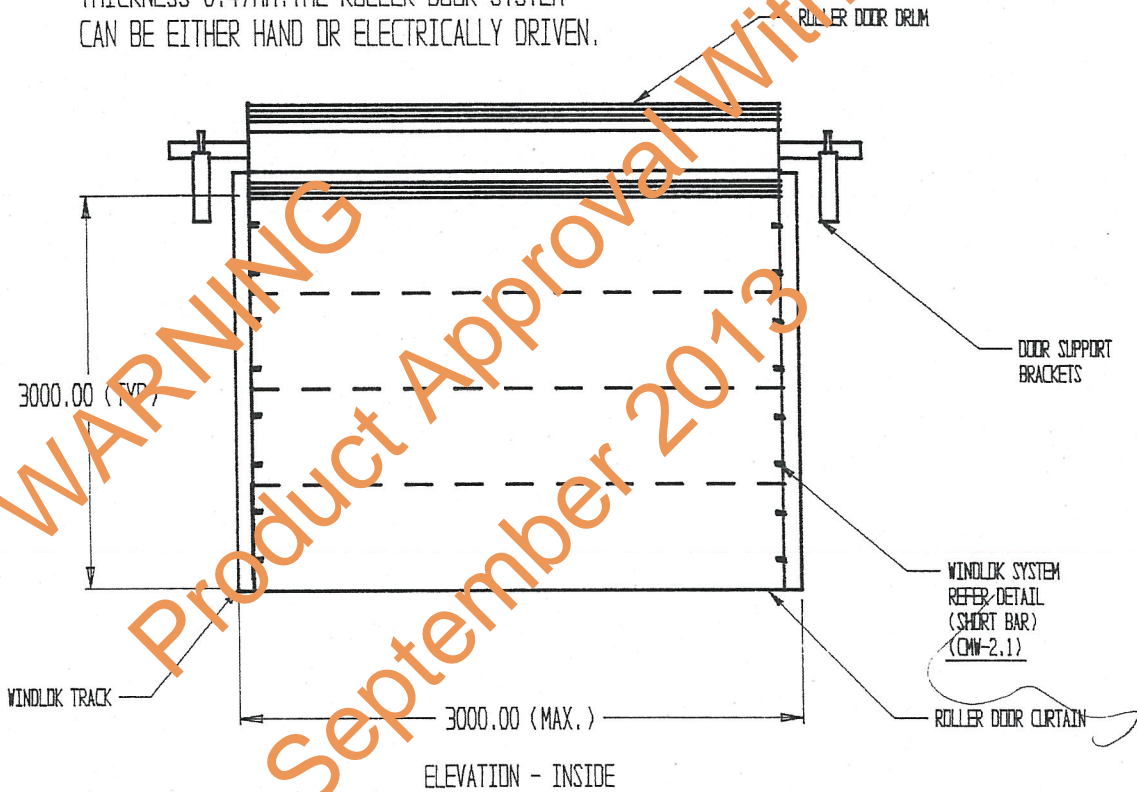


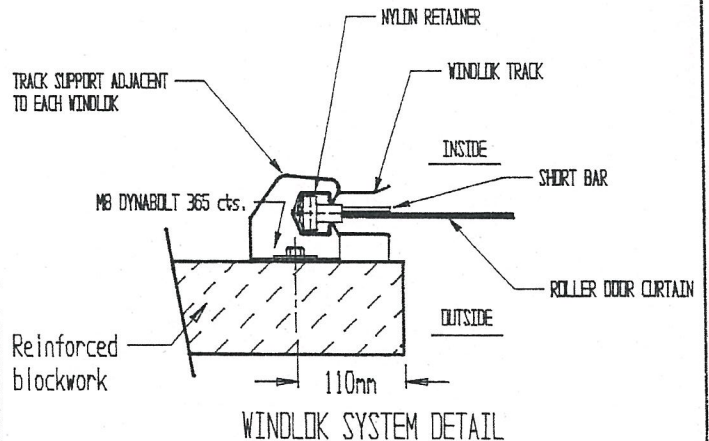
# STEEL-LINE WINDLOK SYSTEM (CMW 2.1) BY CREEKS

THE ROLLER DOORS DISPLAYED ON THIS DATA SHEET HAVE BEEN SUCCESSFULLY TESTED TO WITHSTAND A WIND PRESSURE OF 1.8kpa. TESTING PROCEDURE WAS WITNESSED AND APPROVED BY TECHNISEARCH LTD. ON THE 11th DECEMBER 1992, A REPORT WAS ALSO PRODUCED TO VERIFY THE RESULTS. THE ROLLER DOORS ARE MANUFACTURED FROM Z/L BASE COLOUR SHEEL SHEETING, BASE METAL THICKNESS 0.40MM, TOTAL COATED THICKNESS 0.47MM. THE ROLLER DOOR SYSTEM CAN BE EITHER HAND OR ELECTRICALLY DRIVEN.



WINDLOK DESIGN DATA FOR TYPE CMW 2.1 SYSTEM FOR DOORS UP TO 3.0M WIDE FOR DOMESTIC USE ONLY. (CLASSES 1, 2 & 10)

MAX. OPENING HEIGHT MM	TESTED PRESSURE kPa.	No. WINDLOKS & BRACKETS PER TRACK
2100	1.8	6
2900	1.8	8
3600	1.8	10
4300	1.8	12
5100	1.8	14



CREEKS METAL INDUSTRIES PTY. LTD  
491 MOUNTAIN HWY. BAYSWATER 3153. VIC.

FIXING OF STEELINE  
METAL ROLLER DOORS (BY CREEKS)

DESIGN DATA SHEET (CMW 2.1)

CERTIFIED:  
DESIGNING ENGINEERING:  
DATE: 11.2.04

DRG No. 383-0-36  
AMENDMENT No. 3

NORTHERN TERRITORY  
CYCLONIC AREAS

DATE: 21/2/14

M/405/1A

New Expiry Date: 5/13  
Signature: [Signature]