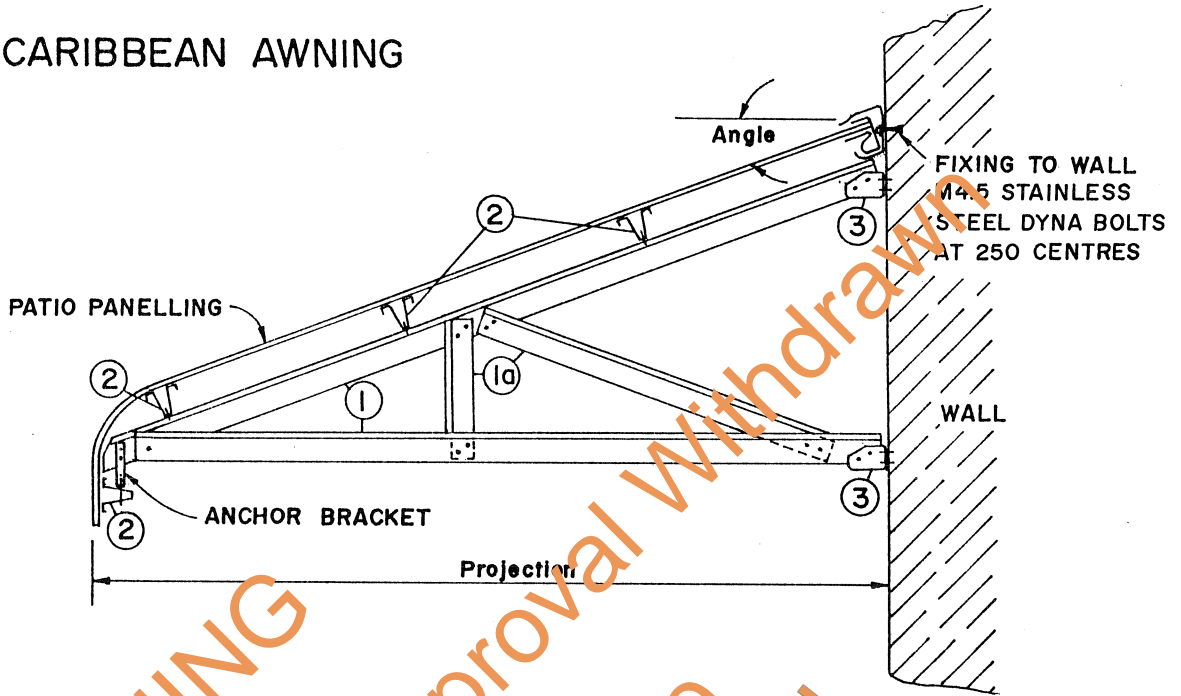


CARIBBEAN AWNING



| No. | PART No. | DESCRIPTION |
|--------|------------|----------------------------|
| 1 & 1a | 40-345-131 | FA Hat Section (Aluminium) |
| 2 | 40-345-131 | FA Hat Section (Aluminium) |
| 3 | 40-371-173 | Hat Section Mount |

NOTE:

ALL OTHER PARTS AS PER HUNTER DOUGLAS COMPONENTRY SPECIFICATION

| SPAN PROJECTION | SPAN | | |
|--------------------|--|---|---|
| | 1000 | 1500 | 2000 |
| 900 | Standard Awning With Type 2 Supports | Standard Awning With Type 2 Supports | Stiffened Awning With Type 3 Supports |
| 1200 | Standard Awning With Type 2 Supports | Stiffened Awning With Type 3 Supports | Stiffened Awning With Type 3 Supports |

STANDARD AWNING AS PER HUNTER DOUGLAS SPECIFICATIONS.
 STIFFENED AWNING AS DOCUMENTED ON D.T.C. M/219/1 & M/219/2
 TYPE 3 SUPPORTS AS DOCUMENTED ON D.T.C. M/219/2
 TYPE 2 SUPPORTS SIMILAR TO TYPE 3 WITHOUT WEB MEMBERS (1a)

MANUFACTURER:

HUNTER DOUGLAS LIMITED

338 VICTORIA RD. RYDALMERE, N.S.W. 2106

Steeles Durley Treacy Noursell Pty Ltd



engineers project managers

54 MELBOURNE ST. DARWIN ACN. 008 821 822

PRINCIPAL

DATE

[Signature]
 10/1/94

ALUMINIUM AWNING - CARIBBEAN

DESIGN DATA SHEET
 DARWIN CYCLONE AREA

DEPARTMENT OF LANDS & HOUSING
 BUILDING BRANCH

DRAWING No:

M/219/2

AMEND:

APP'D:

[Signature] 21/11/94