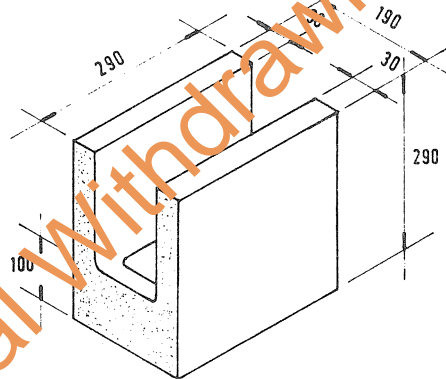
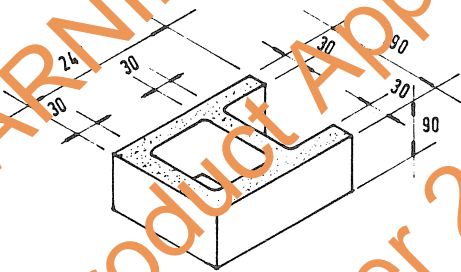


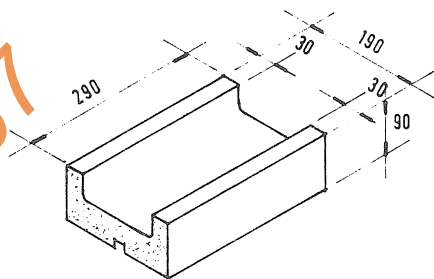
FULL BLOCK...



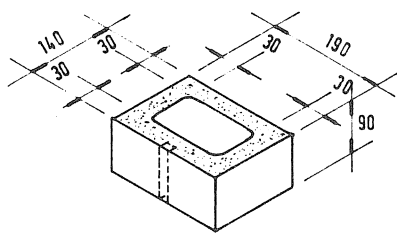
BOND BEAM BLOCK...



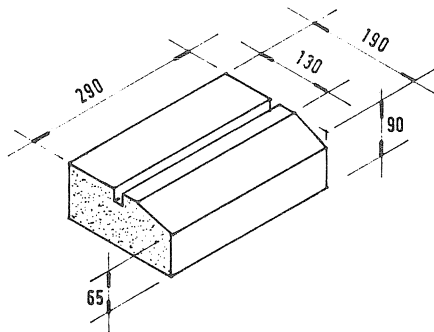
3/4 BLOCK



LINTEL BLOCK...



1/2 BLOCK...



SILL BLOCK...

WARNING  
Product Approval Withdrawn  
October 2007

**NORTHBRICK INDUSTRIES PTY. LTD ...**  
 LOT 2426 TIVENDALE ROAD. BERRIMAH. N.T...  
 PH.(089) 84 4977.

**MAXIBRICK BUILDING SYSTEM.**

BRICK DIMENSIONS

SHEET 2 OF 7

**CLARENDON CONSULTING ENGINEERS**  
 SUITE 3 FIRST FLOOR 96 WOODS ST DARWIN. N.T. PH.(089) 81 7500

**DESIGN DATA SHEET**

DARWIN CYCLONE AREA

DWG. No.

CERTIFIED.

DATE. 23/9/87

APP'D. *J.R. Gardner*  
MIE AUST

DATE. 30/10/87

**M/214/2**