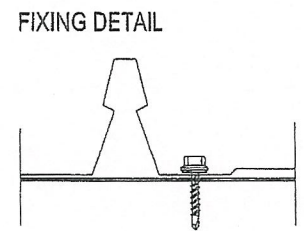
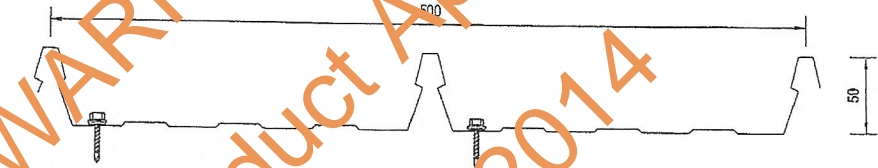


WARNING
Product Approval
August 2014



STEELINE STEEL RIB WALL CLADDING

MATERIAL SPECIFICATION

METAL TYPE	THICKNESS	GRADE	FINISH	COVER
AS1397-1984 G550 / AZ150	0.48mm BMT 0.60mm BMT	550 MPa 550 MPa	ZINC ALUME REP. ANTID. COATED COLORBOND	500mm + - 4

FIXING RECOMMENDATIONS

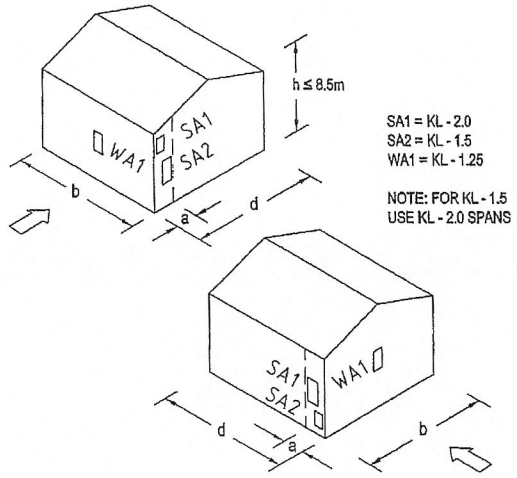
Fixing	No. of Fixing	Wall Girt
14-10 x 25 Tek Screw	2	Steel 1.5mm

Insulation - When fixing over insulation to wall girt add 10mm to screw length.

MAX. ALLOWABLE CLADDING SPANS

Max Allowable Wall Cladding Spans for Steeline Steel Rib 0.48 & 0.60

Region	Terrain Category	Site Wind Speed "V _{sit,β} "	qu.	Local Factor K _L	Allowable Span
C	2 No Shielding	67m/s	2.67 KPa	1.25	1200
				2	950
	3 No Shielding	57m/s	1.94 KPa	1.25	1200
				2	1200
	3 Partial Shielding	50m/s	1.50 KPa	1.25	1200
				2	1200



Product Name
Steeline Steel Rib Wall Cladding

Product Description
Steel Rib Screw Fixed Wall Cladding

Manufacturer's Name
GENERAL ROOFING PRODUCTS PTY LTD
24 Pruett Road, Berimah, NT, 0828

DESIGN CRITERIA

- Wind speeds, pressures etc, have been determined in accordance with AS/NZ1170.2-2002, SAA Loading Code, Part 2: Wind Loads.
- Shielding - Refer AS/NZ1170.2-2002
- Topography - Flat
- Importance level - 2 Annual probability of exceedance 1:500
- Basic Regional Wind Velocity V_R = 69m/sec
- Internal Pressure Coefficient = +0.7, -0.65

Limitations

- Cpe values based on a maximum of 0.7.
- Not for supporting liquid loads or heavy lateral loads.
- Maximum wall height not to be more than 8.5m for results shown on this page.

Accepted for Inclusion

DTCM ref: **M/236/01**

Chairman's Signature:

Chairman's Name: **STEVEN EHRLICH**

Date of Approval: **11/2/10** Expiry Date: **10/2/13**

Test Report -
The above specification is based on LHL testing Report No
C081001-18 by ENGTEST The University of Adelaide Australia.

Steeline Steel Rib Wall Cladding Cyclone Testing Results August 2009.

ISSUE	DATE	INITIALS
C3	04.11.2009	KRB
C2	18.09.2009	KRB
C1	04.09.2009	KRB

**Design Engineers Certification
Name: **Phil Low**
RPEQ No: **6307**
Date: **04 NOVEMBER 2009**
Signature:

**Certifying Engineers Certification
Name: **John L Towler**
NT Rego Number: **24642ES**
Date: **04 NOVEMBER 2009**
Signature:

**registered as a structural engineer in Queensland **registered as a structural engineer in Northern Territory

New Expiry. 28/2/14
Signature.

New Expiry Date **28/2/14**
Signature.....